

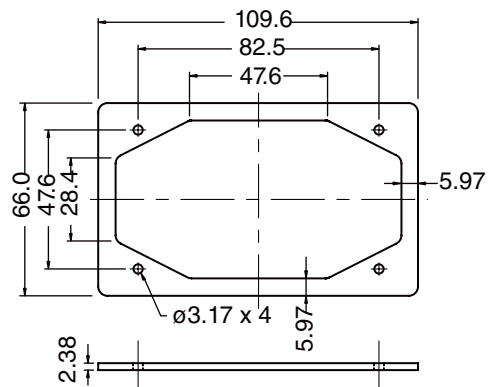
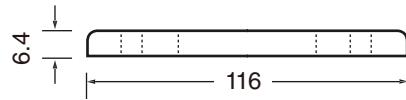
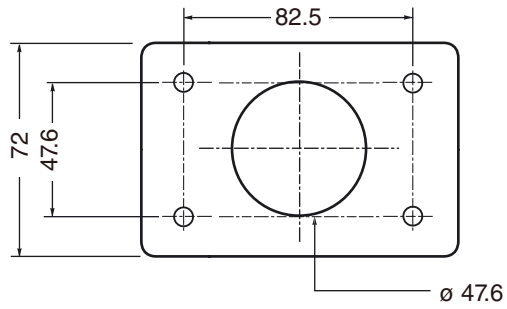


**Model Number**

**PB-CPG**

cover plate and gasket

**Dimensions**



**Technical data**

**Mechanical specifications**

Material	cover plate: metal gasket: BUNA-N
----------	--------------------------------------

Release date: 2011-03-11 20:28 Date of issue: 2011-03-11 092333\_ENG.xml

Subject to modifications without notice

Pepperl+Fuchs Group  
www.pepperl-fuchs.com

USA: +1 330 486 0001  
fa-info@us.pepperl-fuchs.com

Germany: +49 621 776-4411  
fa-info@pepperl-fuchs.com

Copyright Pepperl+Fuchs  
Singapore: +65 6779 9091  
fa-info@sg.pepperl-fuchs.com