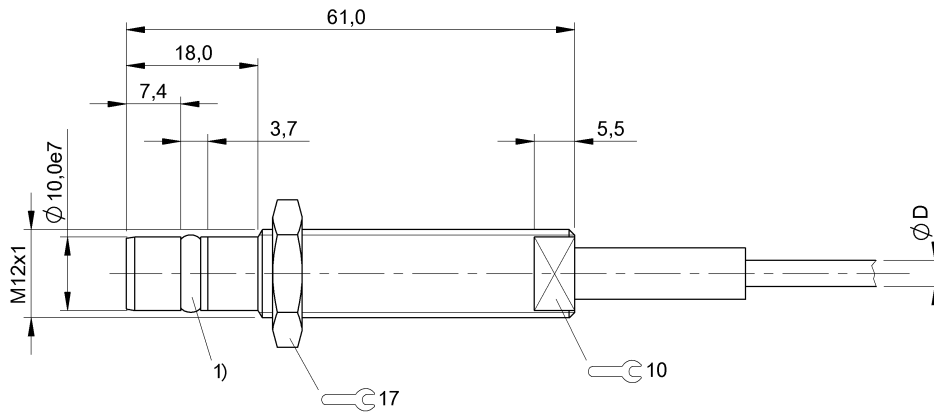


感应式传感器

BES 516-300-S178-D-PU-05

订购代码: BHS0024

# BALLUFF



1) O形环, 带垫圈



IND. CONT. EQ.  
81U2  
Class 2 Type 1



## Wiring Diagrams

